

# High decibel alarm



## Technical Parameters

Name: High-decibel alarm

Rated voltage: 12V

Voltage range: 3~24V

Rated current: 15mA at 12VDC

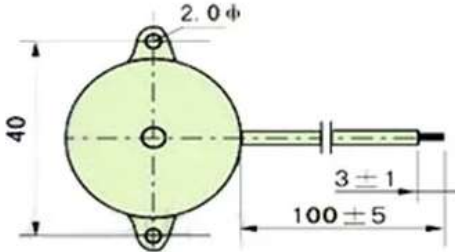
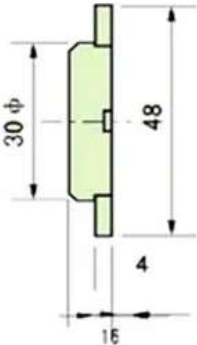
Acoustic piezoelectric

frequency: 100dB at12VDC/30cm

Resonance frequency:  $2.5 \pm 0.5$ KHZ

Working temperature:  $-20 + 45^{\circ}\text{C}$

Storage temperature:  $-20 + 60^{\circ}\text{C}$



# High decibel alarm SHD4216



## Technical Parameters

Name: High-decibel alarm SHD4216

Rated voltage: 12V

Voltage range: 3~24V

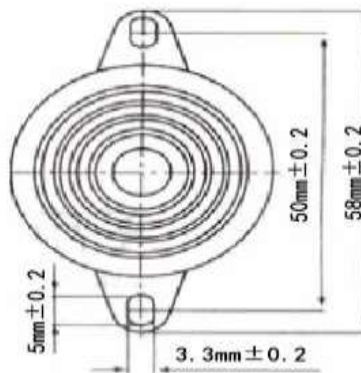
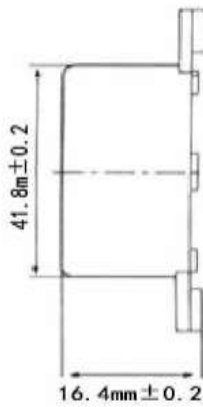
Rated current: 12mA at 12VDC

Acoustic frequency: 100dB at 12VDC

Resonance frequency:  $3.0 \pm 0.5$

Working temperature:  $-20$ - $+45^{\circ}\text{C}$

Storage temperature:  $-20$ - $+60$



The length of the line is about 15.8cm